

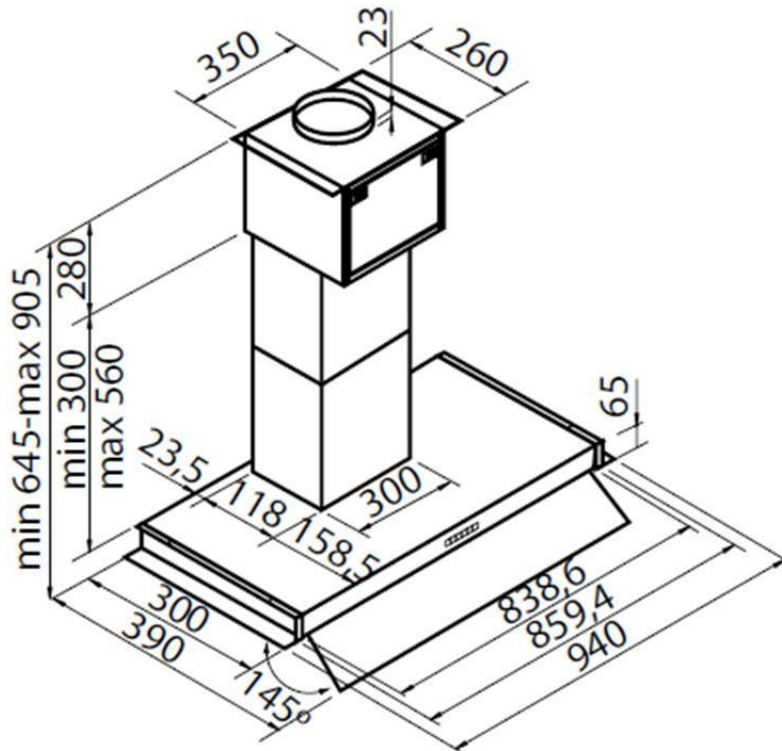
**SPECIFICATION SHEET - kitchen appliances**

<b>BRAND:</b>	<b>Foster</b>
<b>ORIGIN:</b>	Italy
<b>SERIES:</b>	<b>Wing Space</b>
<b>PRODUCT DESCRIPTION:</b>	Built-in suction range hood - with telescopic chimney, LED lights -with remote control. - 220V/50~60Hz 275W, - suction: 800m3/hr.
<b>MODEL No.</b>	2534.090
<b>FINISH/COLOUR:</b>	Stainless steel
<b>DIMENSIONS:</b>	860x300mm x 645~905 H mm
<b>OPTIONAL MATCHING PARTS:</b>	9700.603 silencing kit for Ø150 pipe 9700.601 carbon filter for recirculation

**Product Photo:**

**Technical Informations:**  
**voltage/frequency :** 220V/50-60Hz 1  
**Phase total power :** 275 W



<b>REMINDER:</b>	Do not use abrasive or aggressive cleaners and or contain chlorine or hydrochloric acid solution for cleaning.
	Sufficient ventilation must be provided for oven, microwave, steamer & hobs according to requirement.
	All information stated above are solely for reference only, and should be based on the actual submission sample. Dimensions and specifications are subject to change without prior notice.